





Aeromob Equipamentos Aeronáuticos Ltda

CNPJ: 40.061.679/0001-43

Address: 990 Carlos Willy Boehm St.

Costa e Silva - Joinville - SC

ZIP code: 89218-325

Phone number BRASIL: +55 (47) 4101-2724 | +55 47 99937-9077

Phone number USA: +1 469 851-9078

[www.aeromob-industry.com](http://www.aeromob-industry.com)

Contact Aeromob for more information about parts and products.

---

## INTRODUCTION

The Illustrated Parts Catalog (IPC) must be used to identify parts and component replacement request. The IPC should never be used as a component removal, installation and maintenance procedure. This catalog is used in conjunction with the Equipment Maintenance Manual (MM). The structure of chapters and details used in this IPC follow the applicable standards as Air Transport Association (ATA) SPEC 100 and iSPEC 2200.

The catalog features:

1. A list of chapters;
2. An isometric view of the equipment with emphasis on the set shown in the chapter;
3. An exploded view of each equipment set and its respective list of components;
4. The numbering of the pages is composed initially by the number of the chapter and followed by chapter page number.

## PART DESIGNATION

AEROMOB parts are designated using the following code:

**AM-HDM-135-S01**

such that,

**AM:** AEROMOB

**HDM:** Represents the family of equipment

**135:** the equipment model

**S01:** represents the part-specific code.

On standard components purchased from third parties such as screws bearings, etc., the codes are varied, according to the necessary specification in each item. In some cases, manufacturers codes are also used.

AEROMOB special tools are designated with an "FM" prefix keeping then the identification code of the equipment to which it is applied.

---

## INTRODUCTION

### PARTS AVAILABILITY

"YES" indicates the part is available as a separate replacement item.

"NO" indicates that the part is no longer available or is only available as part of a set.

### ABBREVIATIONS

BICR - Bichromated  
CL - Class  
DISP - Parts availability  
SS - Stainless steel  
HS - Hexagon socket  
WS - Worm shaft  
TS - Top Shaft

### WARRANTY

AEROMOB applies the standard 1-year warranty on parts and components purchased from AEROMOB or an authorized dealer.

### RETURNS

No unused parts may be returned to AEROMOB for credit if the parts show any indication of wear or damage, or if the cost of the individual part is less than \$25 (US). Parts returned within 30 days of purchase will be valued at a 20% restocking fee. no part may be returned after 30 days without AEROMOB's prior approval. Any parts approved for return after 30days will be evaluated at a fee 50% restocking fee.

**INTRODUCTION**

This document is copyrighted. The total or partial copy of the text, images or tables without the authorization of AEROMOB is expressly prohibited, subjecting the violator to the appropriate civil and criminal penalties.

## REVISION

Revision Number:	Date
01	09/11/2023
02	18/12/2023
03	04/04/2024
04	20/08/2024

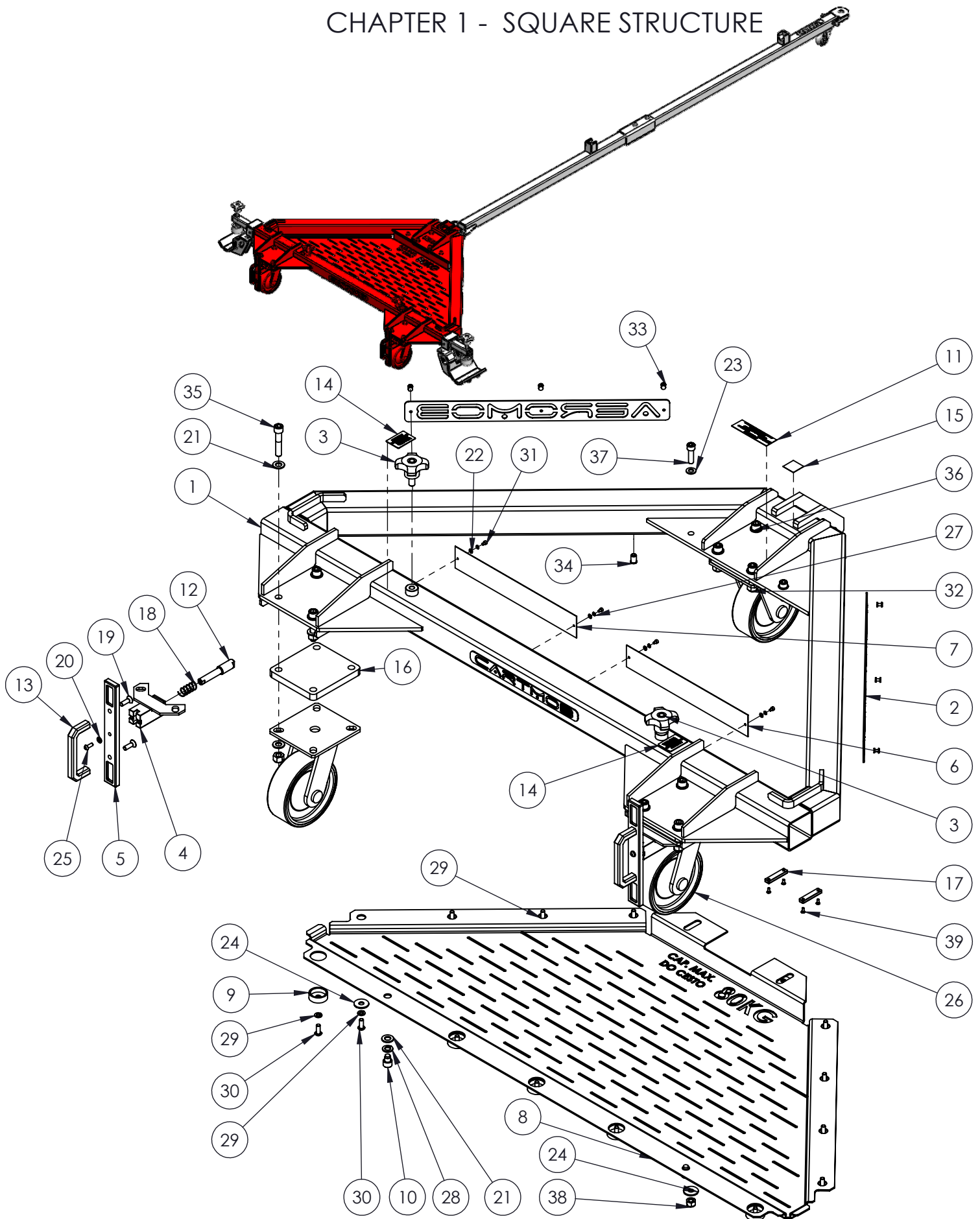
To access the latest version of this document,  
point your device at the QR CODE below.



[www.aeromob-industry.com/support-am-crt-k02](http://www.aeromob-industry.com/support-am-crt-k02)

CHAPTER 1 - SQUARE STRUCTURE .....	1-1
BILL OF MATERIALS .....	1-2
CHAPTER 2 - CLAW ARM .....	2-1
BILL OF MATERIALS .....	2-2
CHAPTER 3 - LOCKING ARM .....	3-1
BILL OF MATERIALS .....	3-2
CHAPTER 4 - TOWBAR .....	4-1
BILL OF MATERIALS .....	4-2

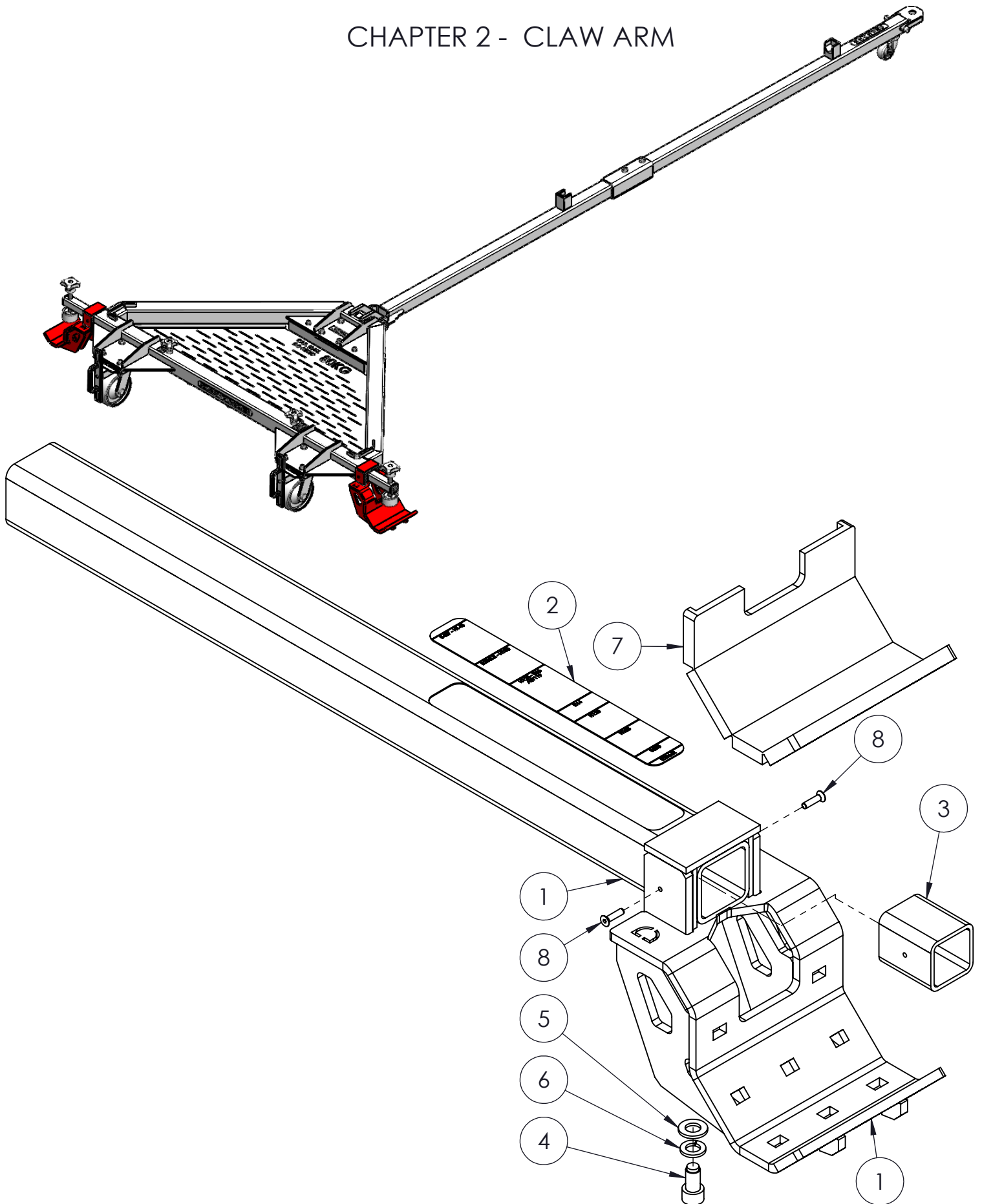
## CHAPTER 1 - SQUARE STRUCTURE





POS	ACTIVE PN	DESCRIPTION	QTY IN THIS DRAWING	QTY EQUIPMENT	OLD PN	APPLICABLE TO SN	AVAIL
1	AM-CRT-S01	WELDED STRUCTURE	1	1	---	---	---
2	AM-CRT-005	AEROMOB PLATE	2	2	---	---	---
3	AM-CRT-S06	WELDED KNOB M12X25	2	2	---	---	---
4	AM-CRT-S08	WELDED PIN BEARING	2	2	---	---	---
5	AM-CRT-S09	WELDED LOCK BAR	2	2	---	---	---
6	AM-CRT-039	LOCK ID PLATE	1	1	---	---	---
7	AM-CRT-040	UNLOCK ID PLATE	1	1	---	---	---
8	AM-CRT-050	BASE SUPPORT 80KG	1	1	---	---	---
9	AM-CRT-053	BUSHING COVER	5	5	---	---	---
10	AM-CRT-056	SPECIAL SCREW	2	2	---	---	---
11	AM-CRT-069	ID PLATE	1	1	---	---	---
12	AM-CRT-073	LOCK PIN	2	2	---	---	---
13	AM-CRT-082	HANDLE	2	2	---	---	---
14	AM-CRT-098	TAG	2	2	---	---	---
15	AM-CRT-125	QR CODE	1	1	---	---	---
16	AM-CRT-128	SHOCK ABSORTION	3	3	---	---	---
17	AM-CRT-130	RUBBER COVER	2	2	---	---	---
18	MC 1,2X15X40	COMP. SPRING Ø1,2 X Ø15 X 40 mm	2	2	---	---	---
19	INOX DIN7991 M8X25	SS - HEX SOCKET COUNTERSUNK HEAD CAP SCREW M8 X 25	4	4	---	---	---
20	INOX DIN125 M6	SS - FLAT WASHER M6	2	2	---	---	---
21	INOX DIN125 M12	SS - FLAT WASHER M12	22	22	---	---	---
22	INOX DIN125 M4	SS - FLAT WASHER M4	4	4	---	---	---
23	INOX DIN125 M10	SS - FLAT WASHER M10	2	2	---	---	---
24	INOX DIN9021 M10	SS - LARGE FLAT WASHER M10	10	10	---	---	---
25	INOX DIN7380 M6X16	SS - HS BUTTON H SCREW M6 X16	2	2	---	---	---
26	GMR62PFE	SWIVEL WHEEL 6"	3	3	---	---	---
27	INOX DIN127 M4	SS - SPLIT LOCK WASHER M4	4	4	---	---	---
28	INOX DIN127 M12	SS - SPLIT LOCK WASHER M12	2	2	---	---	---
29	INOX DIN127 M8	SS - SPLIT LOCK WASHER M8	13	13	---	---	---
30	INOX DIN7380 M8X20 CL5.8	SS - HEX SOCKET BUTTON HEAD SCREW M8 X 20 CLASS 5.8	13	13	---	---	---
31	INOX DIN912 M4X6	SS - HS H CAP SCREW M4 X 6	4	4	---	---	---
32	INOX DIN982 M12	SS - SELF-LOCKING NUT M12	14	14	---	---	---
33	REB POP 4.8X12	POP RIVET 4,8 - RANGE 6,4mm - 8mm	6	6	---	---	---
34	REBR M8X18	INOX - RIVET NUT M8 X 18	8	8	---	---	---
35	INOX DIN912 M12X60	SS - HS H CAP SCREW M12 X 60	8	8	---	---	---
36	DIN912 M12X50	SS - HS H CAP SCREW M12 X 50	4	4	---	---	---
37	INOX DIN912 M10X35	SS - HS H CAP SCREW M10 X 35	2	2	---	---	---
38	INOX DIN982 M10	SS - SELF-LOCKING NUT M10	2	2	---	---	---
39	INOX DIN7991 M4X10	SS - HS COUNTERSUNK HC SCREW M4X10	4	4	---	---	---

### CHAPTER 2 - CLAW ARM

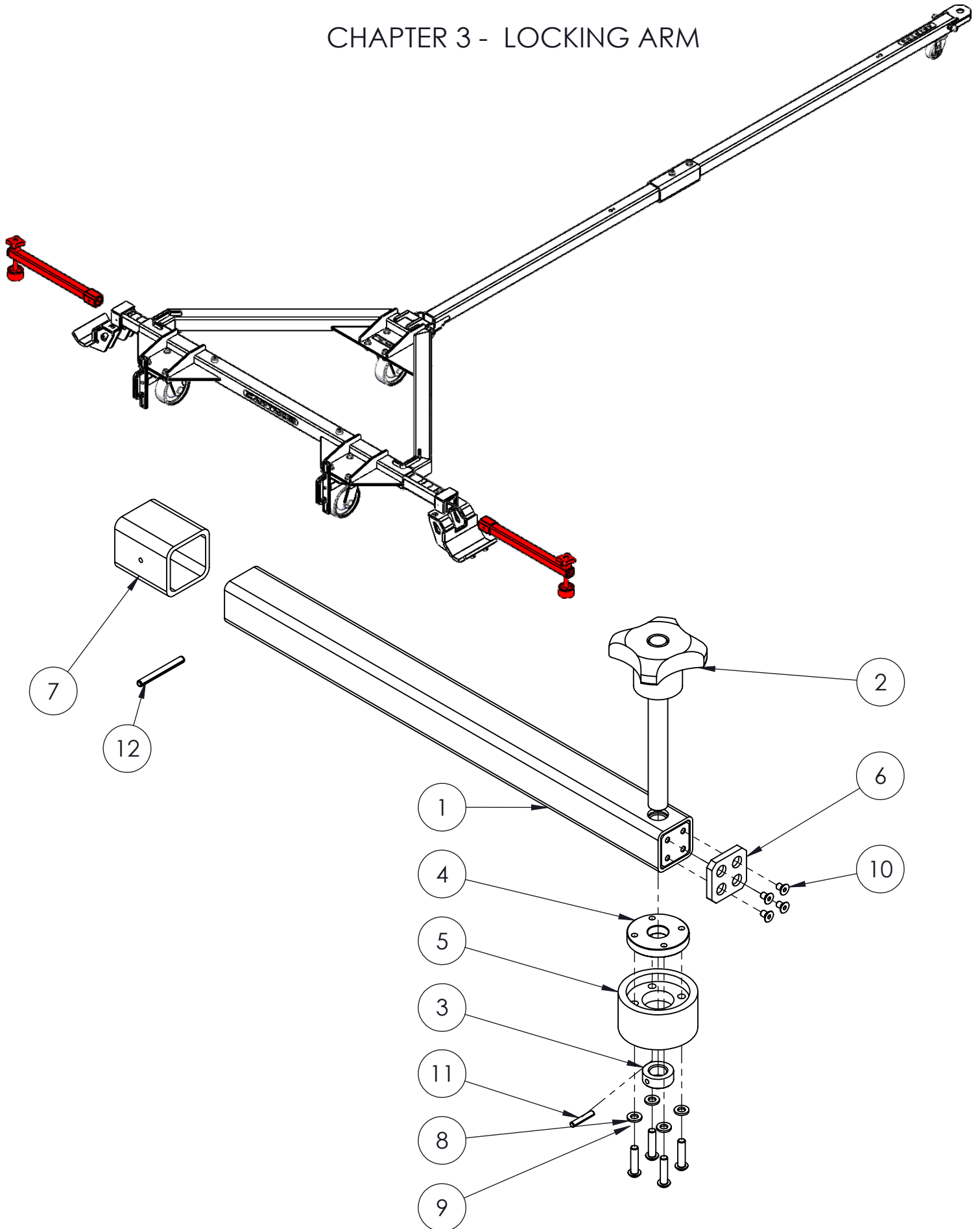


## CARTMOB UNIVERSAL

## IPC-AM-CRT-K02

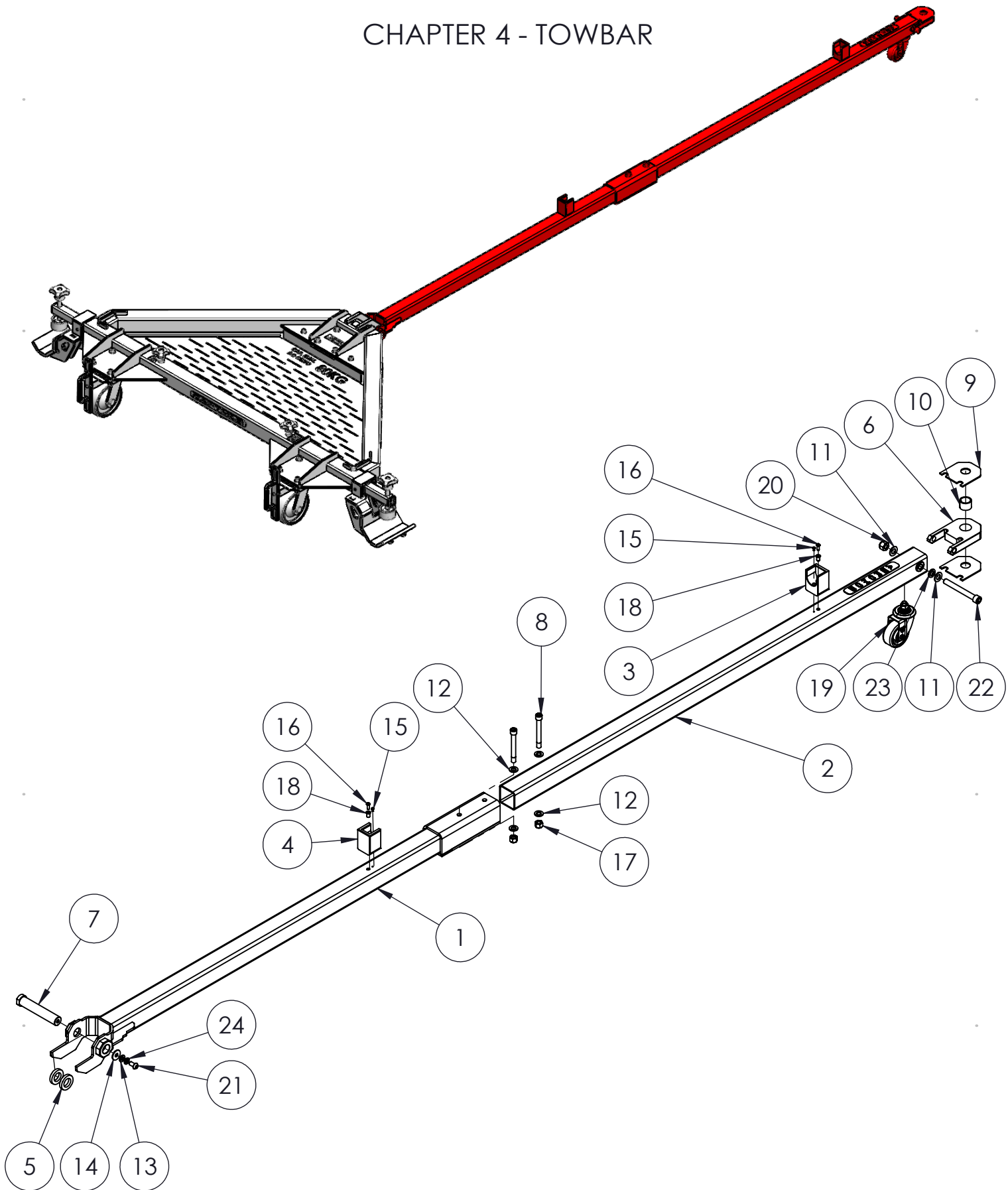
POS	ACTIVE PN	DESCRIPTION	QTY IN THIS DRAWING	QTY EQUIPMENT	OLD PN	APPLICABLE TO SN	AVAIL
1	AM-CRT-S02-RH	RIGHT WELDED GUTTER	1	1	---	ALL	---
2	AM-CRT-009	SKID ID	1	2	---	ALL	---
3	AM-CRT-054	SLIDING BUSHING	1	2	---	ALL	---
4	AM-CRT-055	SPECIAL SCREW	1	2	---	ALL	---
5	INOX DIN125 M12	SS - FLAT WASHER M12	1	2	---	ALL	---
6	INOX DIN127 M12	SS - SPLIT LOCK WASHER M12	1	2	---	ALL	---
7	AM-CRT-070	GUARDING GRAB	1	2	---	ALL	---
8	INOX DIN 7991 - M5 X 20	SS - HS COUNTERSUNK HC SCREW M5X20	2	4	---	ALL	---

#### CHAPTER 3 - LOCKING ARM



POS	ACTIVE PN	DESCRIPTION	QTY IN THIS DRAWING	QTY EQUIPMENT	OLD PN	APPLICABLE TO SN	AVAIL
1	AM-CRT-145-S03	WELDED SKID ARM	1	2	---	ALL	---
2	AM-CRT-145-S07	WELDED KNOB SCREW M16X120	1	2	---	ALL	---
3	AM-CRT-145-024	LOCK NUT	1	2	---	ALL	---
4	AM-CRT-145-027	SPECIAL WASHER	1	2	---	ALL	---
5	AM-CRT-145-031	SKID SUPPORT	1	2	---	ALL	---
6	AM-CRT-145-038	SLIDING TUBE COVER	1	2	---	ALL	---
7	AM-CRT-145-054	SLIDE BUSHING	1	2	---	ALL	---
8	INOX DIN125 M6	SS - FLAT WASHER M6	4	8	---	ALL	---
9	DIN7380 M6X25	SS - HS BUTTON H SCREW M6 x 25	4	8	---	ALL	---
10	INOX DIN7991 M5X8	SS - HS COUNTERSUNK HC SCREW M5 x 8	4	8	---	ALL	---
11	DIN1481 4X24	SPRING PIN Ø4 x 24 mm	1	2	---	ALL	---
12	DIN1481 5X50	SPRING PIN Ø5 x 50 mm	1	2	---	ALL	---

#### CHAPTER 4 - TOWBAR



POS	ACTIVE PN	DESCRIPTION	QTD.	QTY EQUIPMENT	OLD PN	APPLICABLE TO SN	AVAIL
1	AM-CRT-S12	PRIMARY BAR	1	1	---	ALL	---
2	AM-CRT-S13	SECONDARY BAR	1	1	---	ALL	---
3	AM-CRT-047	SUPPORT 1	1	1	---	ALL	---
4	AM-CRT-048	SUPPORT 2	1	1	---	ALL	---
5	AM-CRT-087	SPACE WASHER	2	2	---	ALL	---
6	AM-CRT-107	EYEPLATE	1	1	---	ALL	---
7	AM-CRT-110	SHAFT	1	1	---	ALL	---
8	AM-CRT-112	SPECIAL SCREW	2	2	---	ALL	---
9	AM-CRT-113	EYEPLATE COVER	2	2	---	ALL	---
10	AM-CRT-114	DIAMETER COVER	1	1	---	ALL	---
11	INOX DIN125 M14	SS- FLAT WASHER M14	2	2	---	ALL	---
12	INOX DIN125 M12	SS - FLAT WASHER M12	4	4	---	ALL	---
13	INOX DIN125 M10	SS - FLAT WASHER M10	1	1	---	ALL	---
14	INOX DIN9021 M10	SS - LARGE FLAT WASHER M10	1	1	---	ALL	---
15	INOX DIN7380 M4X8	SS - HS BUTTON H SCREW M4 x 8	2	2	---	ALL	---
16	INOX DIN7380 M6X16	SS - HS BUTTON H SCREW M6 X16	2	2	---	ALL	---
17	INOX DIN982 M12	SS - SELF-LOCKING NUT M12	2	2	---	ALL	---
18	REBR M6X15	BICR RIVET NUT M6 x 15	2	2	---	ALL	---
19	GLE.312.PE	SWIVEL WHEEL 3"	1	1	---	ALL	---
20	INOX DIN982 M14	SS - SELF LOCKING NUT M14	1	1	---	ALL	---
21	INOX DIN7380 M10X20	SS - HS BUTTON H SCREW M10X20	1	1	---	ALL	---
22	BICR DIN912 M14X120 CL12.9	SS - HEX SOCKET HEAD CAP SCREW M14 x 120 CL 12.9	1	1	---	ALL	---
23	INOX DIN127 M14	SS - SPLIT LOCK WASHER M14	1	1	---	ALL	---
24	INOX DIN127 M10	SS - SPLIT LOCK WASHER M10	1	1	---	ALL	---